

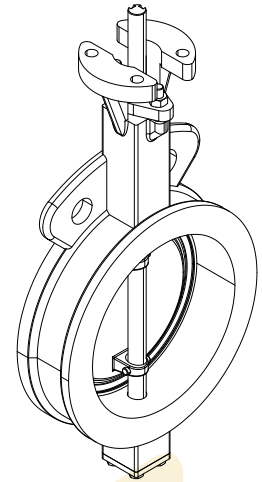
DESCRIPTION: AISI 316 equivalent body and disc, high performance wafer type butterfly valve with PTFE sealing. Double offset free stem with standardized pattern for actuator mounting.

APPLICATION: Start/stop and throttling: Water, oils, wide range chemicals etc. Used as e.g. cargo valve

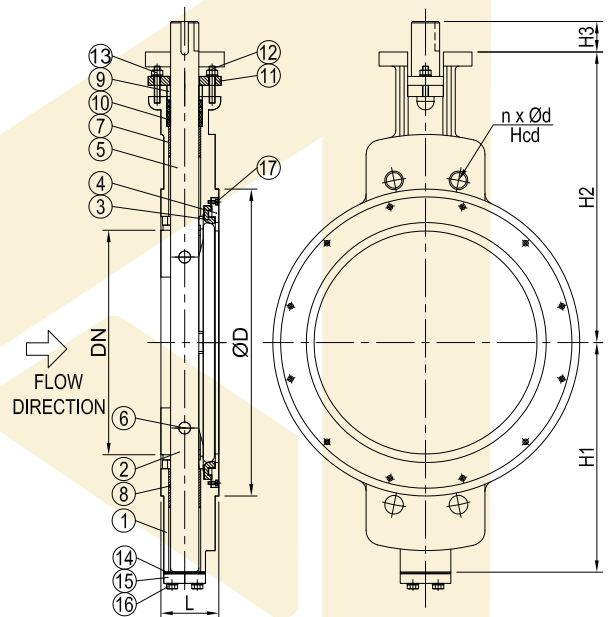
STANDARD & DESIGN:

Design Code: EN 593
 Inspection Std.: EN 12266-1
 End Std.: EN 1092-1
 Face to Face Std.: EN 558
 Flanges drilled: PN16 (DN50-DN600)
 Top Flange: ISO 5211 (DN50-DN600)
 Pressure rating: PN16 (DN50-DN600)

VARIATIONS: Metal to metal seat. Metal + PTFE seat as fire safe. Various actuators and gearboxes. Other dimensions and materials on request.



No	Part	Material	Code
1	Body	Stainless Steel	CF8M
2	Disc	Stainless Steel	CF8M
3	Seat	PTFE	-
4	Retainer	Stainless Steel	SUS 316L
5	Stem	Stainless Steel	SUS 316L
6	Taper Pin	Stainless Steel	SUS 316L
7	Upper Bush	316 SS+Graphite	-
8	Lower Bush	316 SS+Graphite	-
9	Gland Ring	Stainless Steel	SUS 304
10	Packing	PTFE	-
11	Gland Flange	Stainless Steel	SUS 304
12	Stud Bolt/SW	Stainless Steel	SUS 304
13	Hex Nut	Stainless Steel	SUS 304
14	Gasket	PTFE	-
15	End Cover	Stainless Steel	SUS 304
16	Hex Bolt/SW	Stainless Steel	SUS 304
17	Wrench Bolt	Stainless Steel	SUS 304



DN	n x ød	Hcd	øD	L	H1	H2	H3	Kg
50	2x18	125	97	43	70	142.5	41	3.2
65	2x18	145	108	46	76	150	41	4.4
80	2x18	160	130	46	82	190	41	5.0
100	2x18	180	155	52	93	200.9	41	6.5
125	2x18	210	180	56	109	219.9	41	8.9
150	2x22	240	205	56	133	243.9	41	10.4
200	2x22	295	256	60	160	269	41	20.2
250	2x26	355	321	70	190.5	314	41	32.7
300	4x26	410	372	78	275	355	41	44.3
350	4x26	470	413	78	309	391	41	64.3
400	4xM27	525	469	102	336	438	55	93.5
450	4xM27	585	534	114	370	470	55	127.6
500	4xM30	650	584	127	397.5	504	55	173.5
600	4xM33	770	692	154	452.5	575	55	271.8